



Ruthinium Disc

Each single detail is important!



Ruthinium Disc



PMMA discs for fabrication of longer lasting crown and bridges, manufactured with high molecular cross linked acrylic which guarantees high detailed precision and resistance

ADVANTAGES

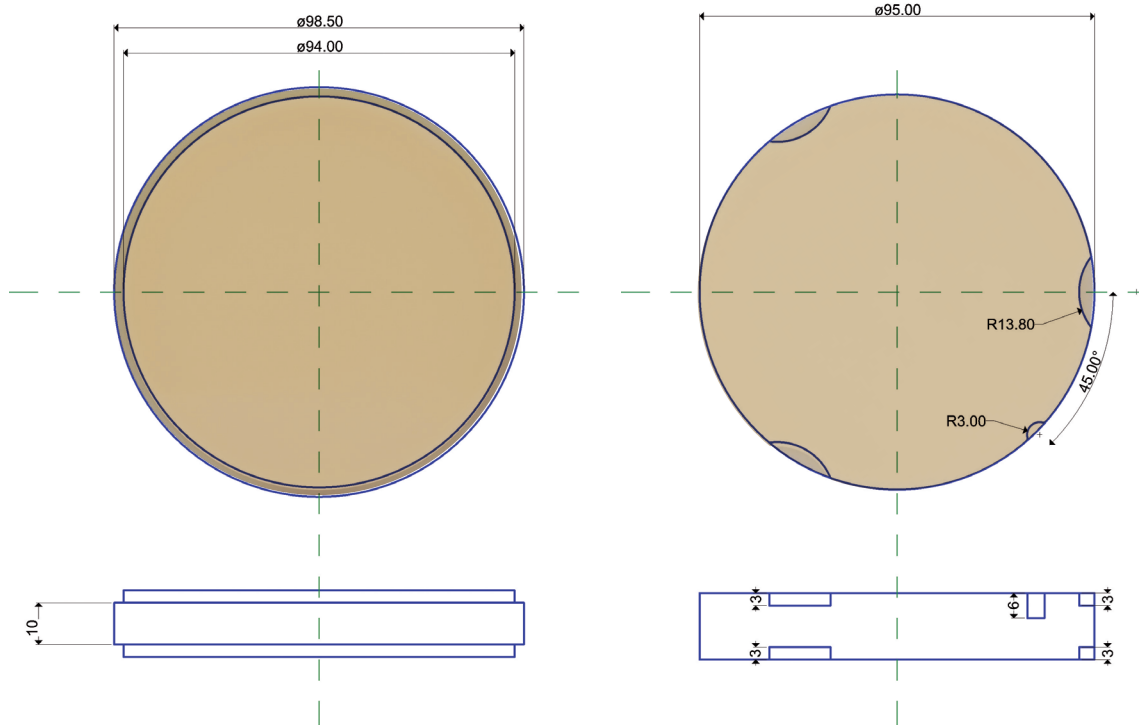
- High milling reproduction details
- Absence of cracks even on thinner layers
- Resistance to abrasion
- Fluorescence
- Burns out completely
- Chromatic stability and absence of porosity
- Biocompatibility

NATURAL LAYERING



Ruthinium Disc Multilayer è caratterizzato da una stratificazione progressiva che garantisce ai provvisori un effetto estetico naturale.



Each single detail is important!





Ruthinium Disc Single Layer

Shades	A1 – A2 – A3 – A3,5 – B1 – B2 – C3 PINK – TRANSPARENT – RX
Code	7900087
Sizes*	 
Thickness	16 mm – 20 mm – 25 mm



Ruthinium Disc Multilayer

Shades	A1 – A2 – A3 – A3,5 – B1 – B2 – C3
Code	7900088
Sizes*	 
Thickness	16 mm – 20 mm – 25 mm

*Different sizes and shades available on demand.





**Ruthinium
Group**

We take care of your smile

Dental Manufacturing S.p.A.

Via Cà Mignola Nuova, 1699

45021 Badia Polesine - Rovigo (Italy)

+39 0425 51628 - 0425 590587

Fax +39 0425 590156

info@ruthinium.it



ruthinium.it

